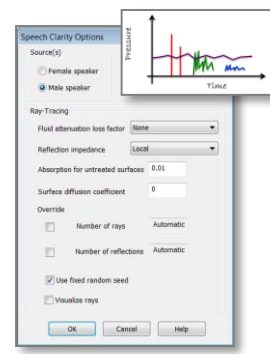
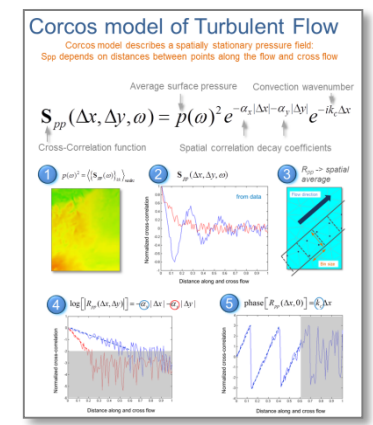


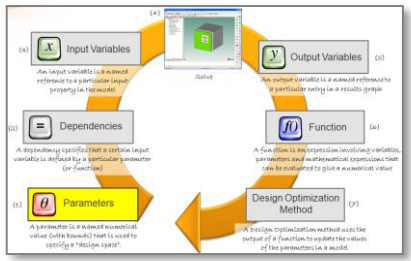
2D to 3D automatic SEA model building



Speech clarity

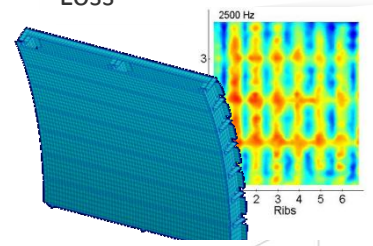


Turbulent Flow Characterization

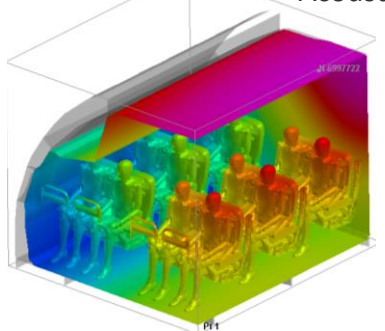


Acoustic Trim optimization

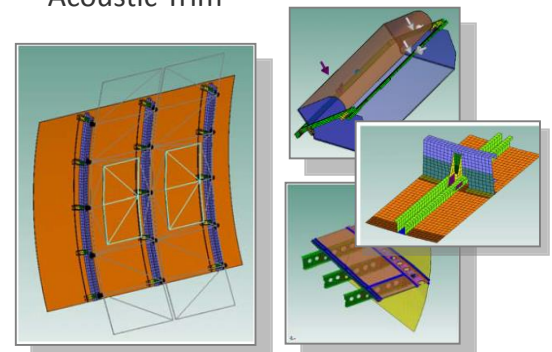
Fuselage Wall Transmission Loss



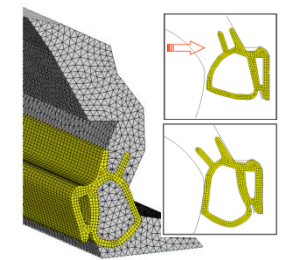
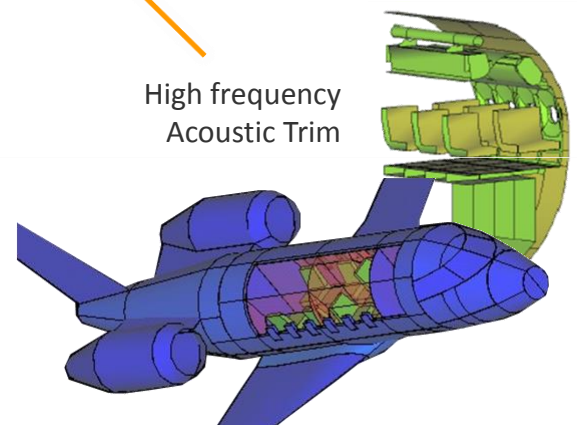
Low frequency Acoustic Trim



Mid-frequency Structureborne Acoustic Trim



High frequency Acoustic Trim



Seal Transmission Loss